

SPEC Sheet

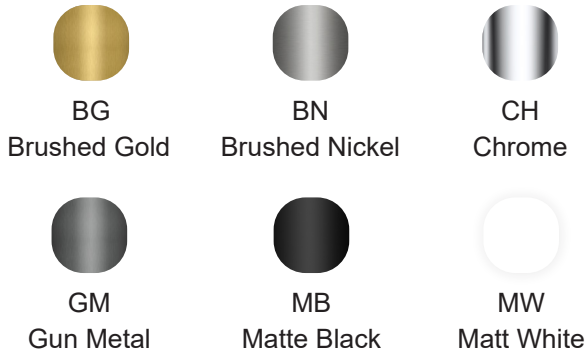


Model: KFB1051C

Single handle Single-Hole Kitchen Faucet

Available Colors/Finishes

Color tiles intended for reference only.



Lead-free



Water saving



Easy Control



Easy Install



Rust Resistant



Specifications



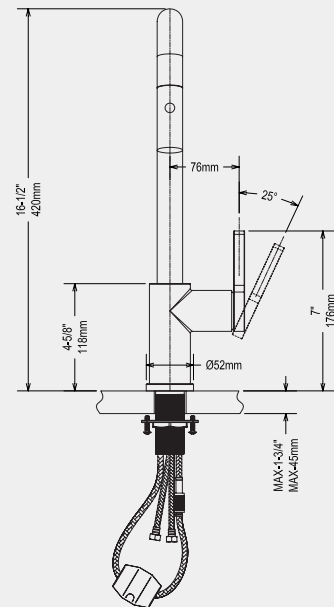
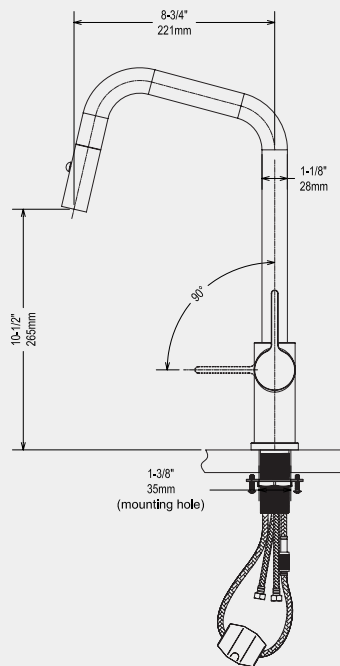
Descriptions

- 3/8" speedway compression
- Ceramic cartridge
- Silent braided nylon hose
- Swiss Neoperl® PEX Food-Grade Pull-Out Hose + Quick Connect Hose



Certifications

- CSA B125.1
- NSF/ANSI standard 61 and 372
- ASME A112.18.1



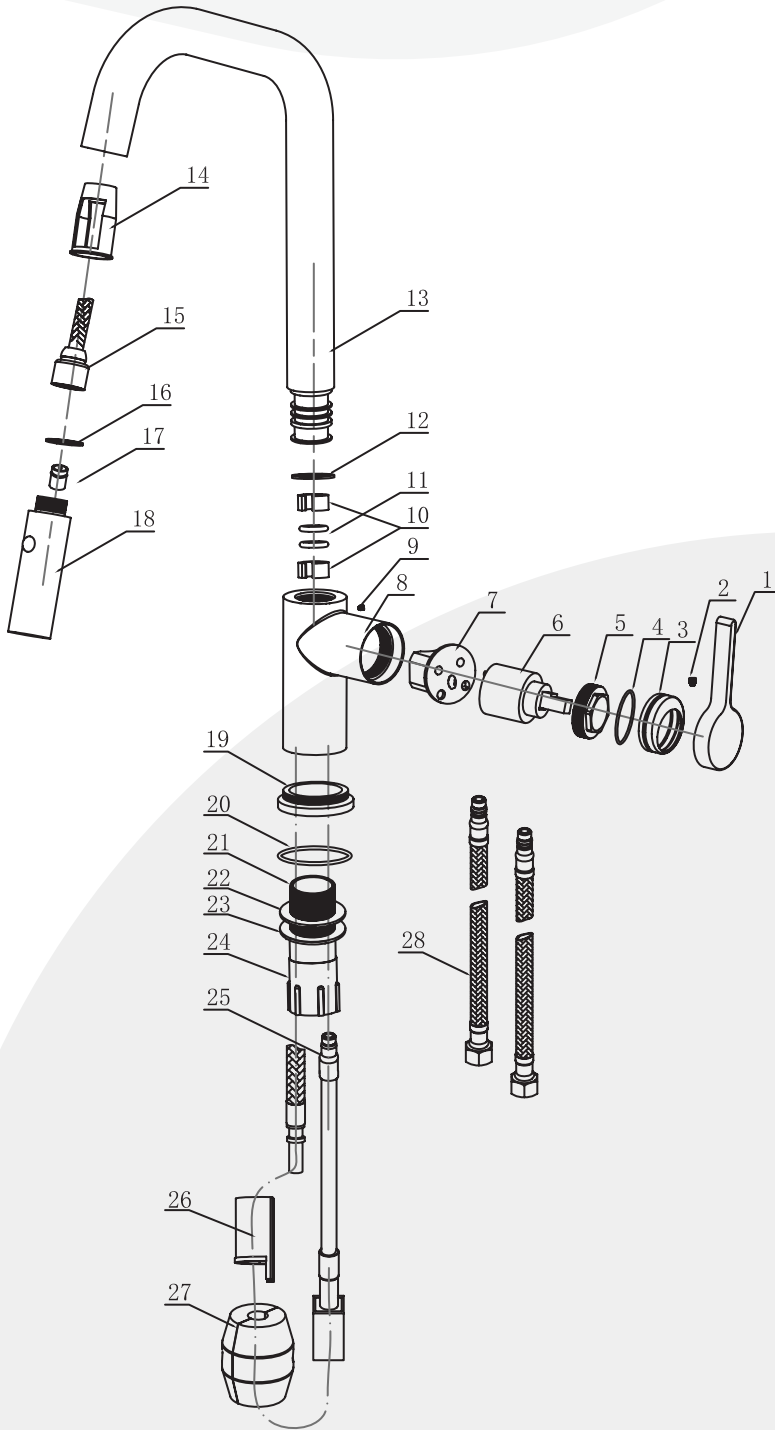
Material & Installation

- Premium solid lead-free brass construction for durability and reliability.
- MT surface finishes resist corrosion and tarnishing.
- Single-hole or three-hole installation (Deck plate needed to be buy separated).
- Preattached flexible supply lines simplify installation.

Water Conservation & Rebates

Model: KFB1051C

Single handle Single-Hole Kitchen Faucet



Lead-free



Water saving



Easy Control



Easy Install



Rust Resistant



POS NO.	SPARE PART DESCRIPTION	Qty
1	Handle	1
2	Screw	1
3	Cartridge deco cover	1
4	O ring	1
5	Cartridge holder	1
6	Spain citec ceramic disc cartridge	1
7	Cartridge cushion	1
8	Main body	1
9	Screw	1
10	Plastic buckle	2
11	O ring	2
12	Wear washer	1
13	U tube	1
14	Pipe insert	1
15	Hose	1
16	O ring	1
17	Valve	1
18	Spray head	1
19	Body base	1
20	O ring	1
21	Main screw tube	1
22	Rubber pad	1
23	Metal Pad	1
24	Main body fixing nut	1
25	Quick connector	1
26	Hose cap	1
27	Weighted ball	1
28	Hose 9/16-24UNEF-M8x4	1