

SPEC Sheet

Model: KFB1058B

Single handle Single-Hole Kitchen Faucet

Available Colors/Finishes

Color tiles intended for reference only.



BG

Brushed Gold



BN

Brushed Nickel



CH

Chrome



GM

Gun Metal



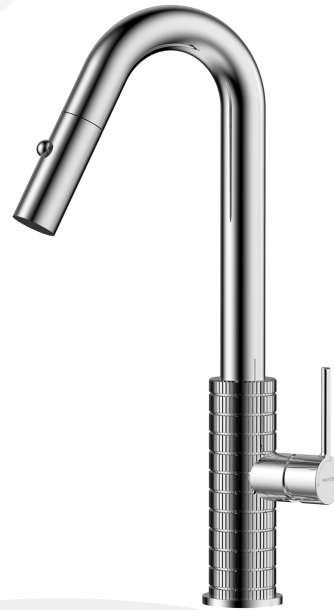
MB

Matte Black



MW

Matt White



Lead-free



Water saving



Easy Control



Easy Install



Rust Resistant



Specifications



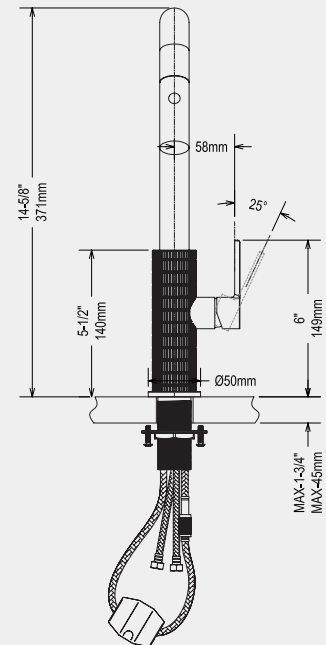
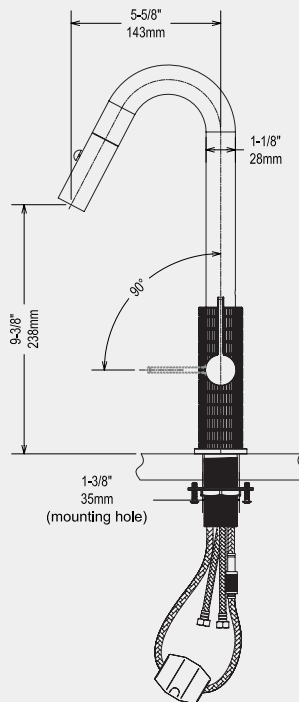
Descriptions

- 3/8" speedway compression
- Ceramic cartridge
- Silent braided nylon hose
- Swiss Neoperi[®] PEX Food-Grade Pull-Out Hose + Quick Connect Hose



Certifications

- CSA B125.1
- NSF/ANSI standard 61 and 372
- ASME A112.18.1



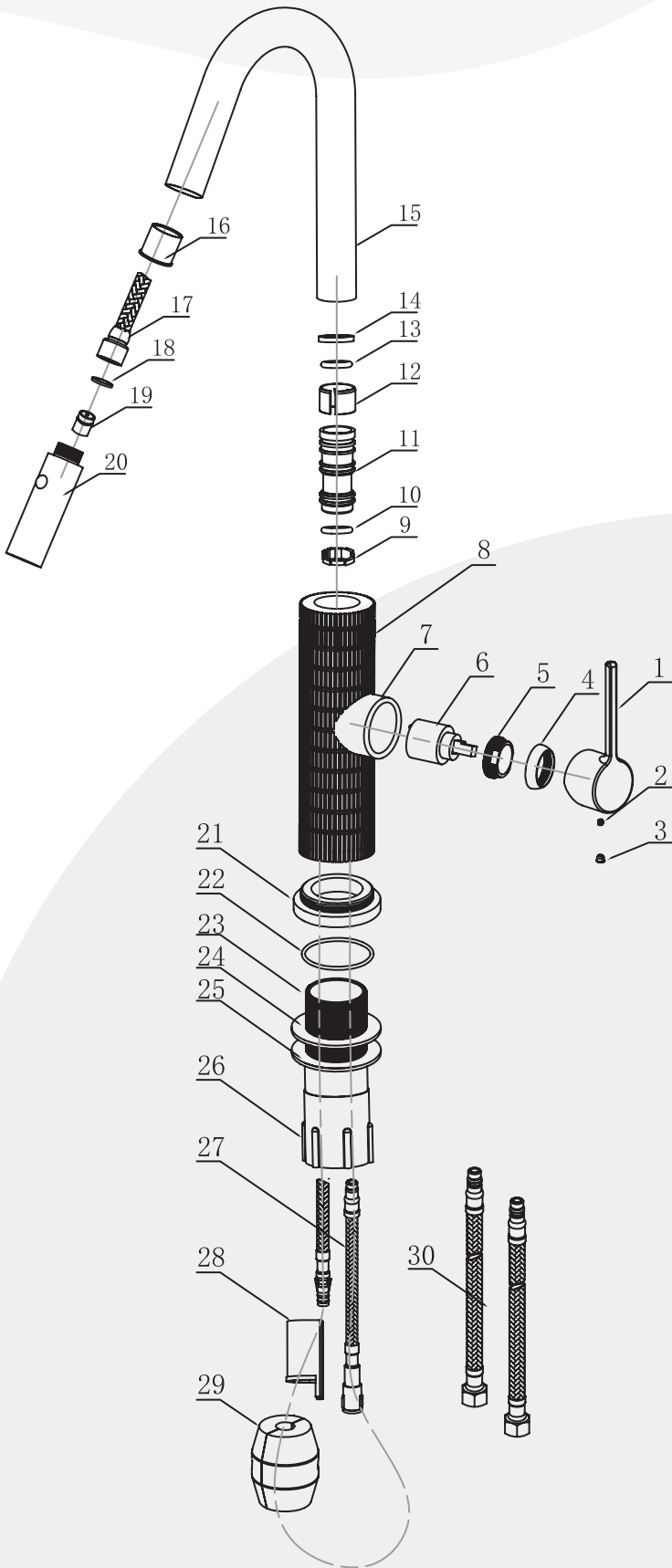
Material & Installation

- Premium solid lead-free brass construction for durability and reliability.
- MT surface finishes resist corrosion and tarnishing.
- Single-hole or three-hole installation (Deck plate needed to be buy separated).
- Preattached flexible supply lines simplify installation.

Water Conservation & Rebates

Model: KFB1058B

Single handle Single-Hole Kitchen Faucet



Lead-free



Water saving



Easy Control



Easy Install



Rust Resistant



POS NO.	SPARE PART DESCRIPTION	Qty
1	Handle	1
2	Screw	1
3	Cartridge deco cover	1
4	O ring	1
5	Cartridge holder	1
6	Spain citec ceramic disc cartridge	1
7	Universal cartridge	1
8	Main body	1
9	Open positioning ring	1
10	O ring	1
11	U tube connector	1
12	Plastic buckle	1
13	O ring	1
14	Wear washer	1
15	U tube	1
16	Pipe insert	1
17	Hose	1
18	O ring	1
19	Valve	1
20	Spray head	1
21	Body base	1
22	O ring	1
23	Main screw tube	1
24	Rubber pad	1
25	Metal Pad	1
26	Main body fixing nut	1
27	Quick connector	1
28	Hose cap	1
29	Weighted ball	1
30	Hose 9/16-24UNEF-M8x4	1