

SPEC Sheet

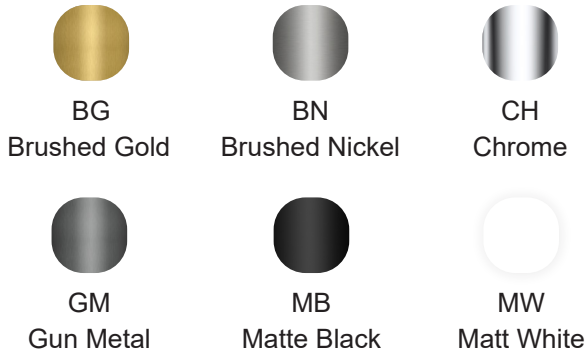


Model: KFB1072

Single handle Single-Hole Kitchen Faucet

Available Colors/Finishes

Color tiles intended for reference only.



Lead-free



Water saving



Easy Control



Easy Install



Rust Resistant

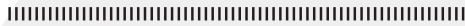


Specifications



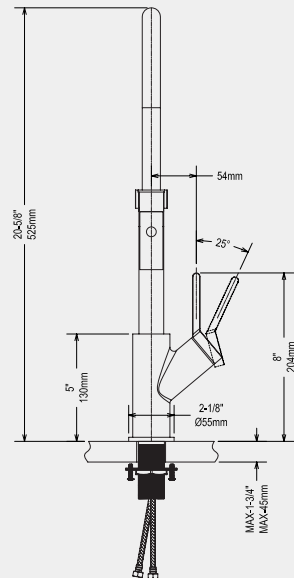
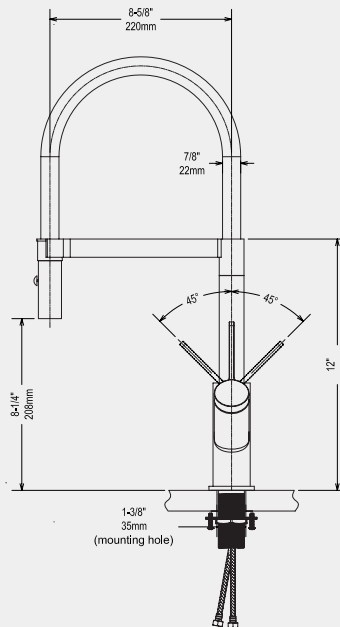
Descriptions

- 3/8" speedway compression
- Ceramic cartridge
- Silent braided nylon hose



Certifications

- CSA B125.1
- NSF/ANSI standard 61 and 372
- ASME A112.18.1



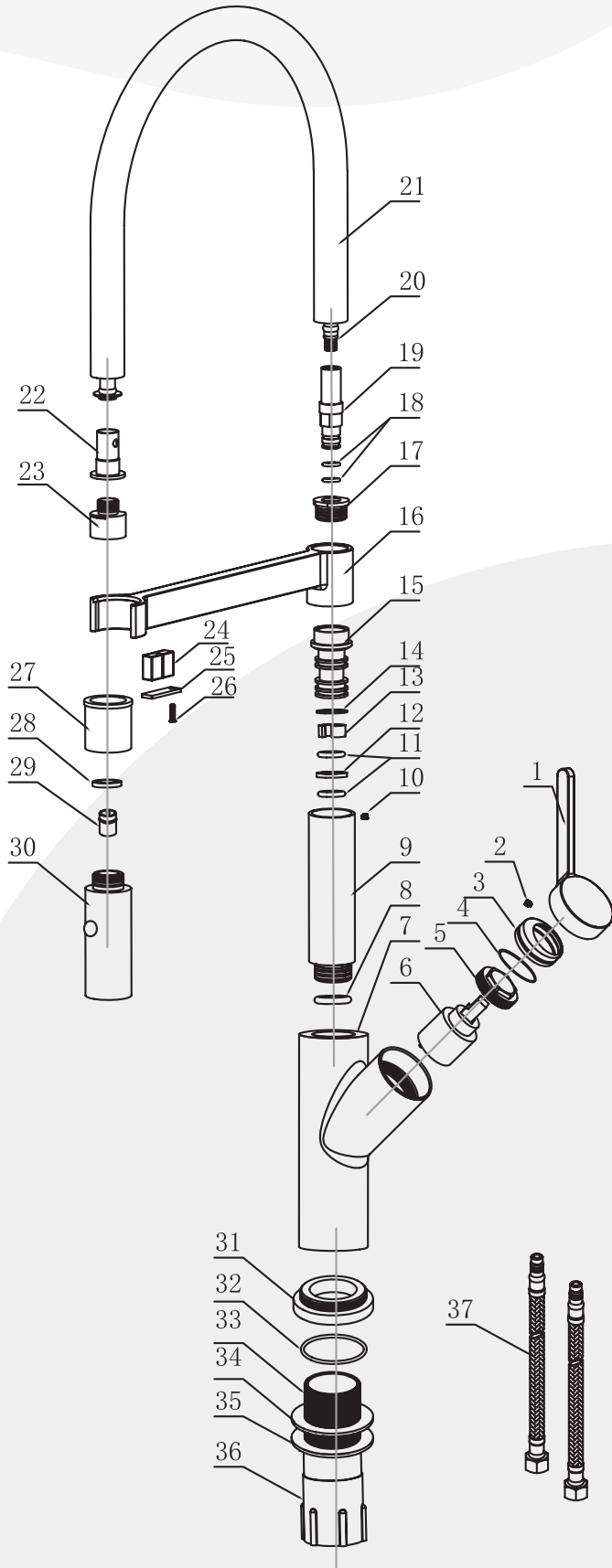
Material & Installation

- Premium solid lead-free brass construction for durability and reliability.
- MT surface finishes resist corrosion and tarnishing.
- Single-hole or three-hole installation (Deck plate needed to be buy separated).
- Preattached flexible supply lines simplify installation.

Water Conservation & Rebates

Model: KFB1072

Single handle Single-Hole Kitchen Faucet



Lead-free



Water saving



Easy Control



Easy Install



Rust Resistant



POS NO.	SPARE PART DESCRIPTION	Qty
1	Handle	1
2	Screw	1
3	Cartridge deco cover	1
4	O ring	1
5	Cartridge holder	1
6	Spain citec ceramic disc cartridge	1
7	Main body	1
8	O ring	1
9	Connecting pipe	1
10	screw	1
11	O ring	2
12	Open positioning ring	1
13	Open positioning ring	1
14	O ring	1
15	U tube connector	1
16	Shower card holder	1
17	Swing core locking nut	1
18	O ring	2
19	Swing core connector	1
20	Water outlet hose	1
21	Silicone tube	1
22	Connector	1
23	Nut	2
24	Magnet	1
25	Magnetic baffle	1
26	Screw	1
27	Magnet fixing nut	1
28	O ring	1
29	Valve	1
30	Spray head	1
31	Body base	1
32	O ring	1
33	Main body fixing nut	1
34	Rubber pad	1
35	Metal pad	1
36	Main body fixing nut	1
37	Hose 9/16-24UNEF-M8x4	1