

SPEC Sheet

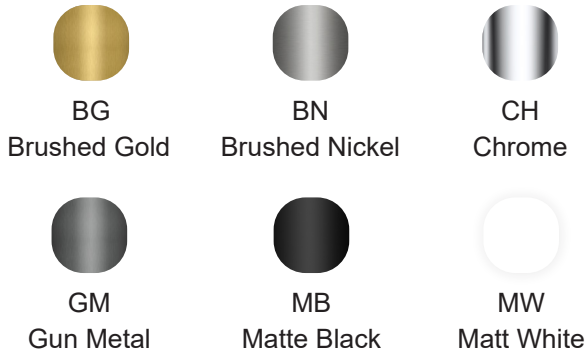


Model: KFB1075

Single handle Single-Hole Kitchen Faucet

Available Colors/Finishes

Color tiles intended for reference only.



Lead-free



Water saving



Easy Control



Easy Install



Rust Resistant



Specifications



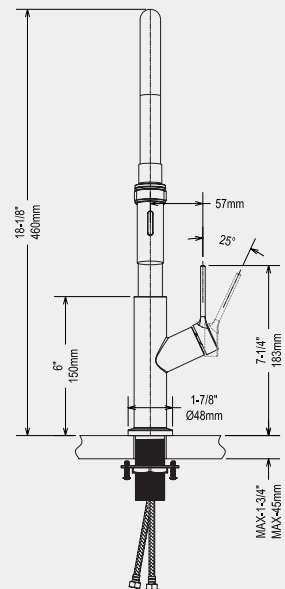
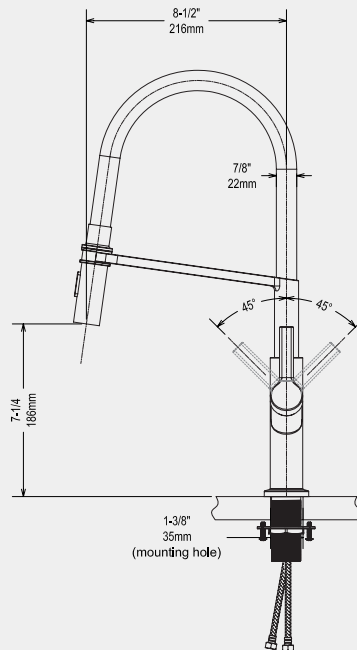
Descriptions

- 3/8" speedway compression
- Ceramic cartridge
- Silent braided nylon hose



Certifications

- CSA B125.1
- NSF/ANSI standard 61 and 372
- ASME A112.18.1



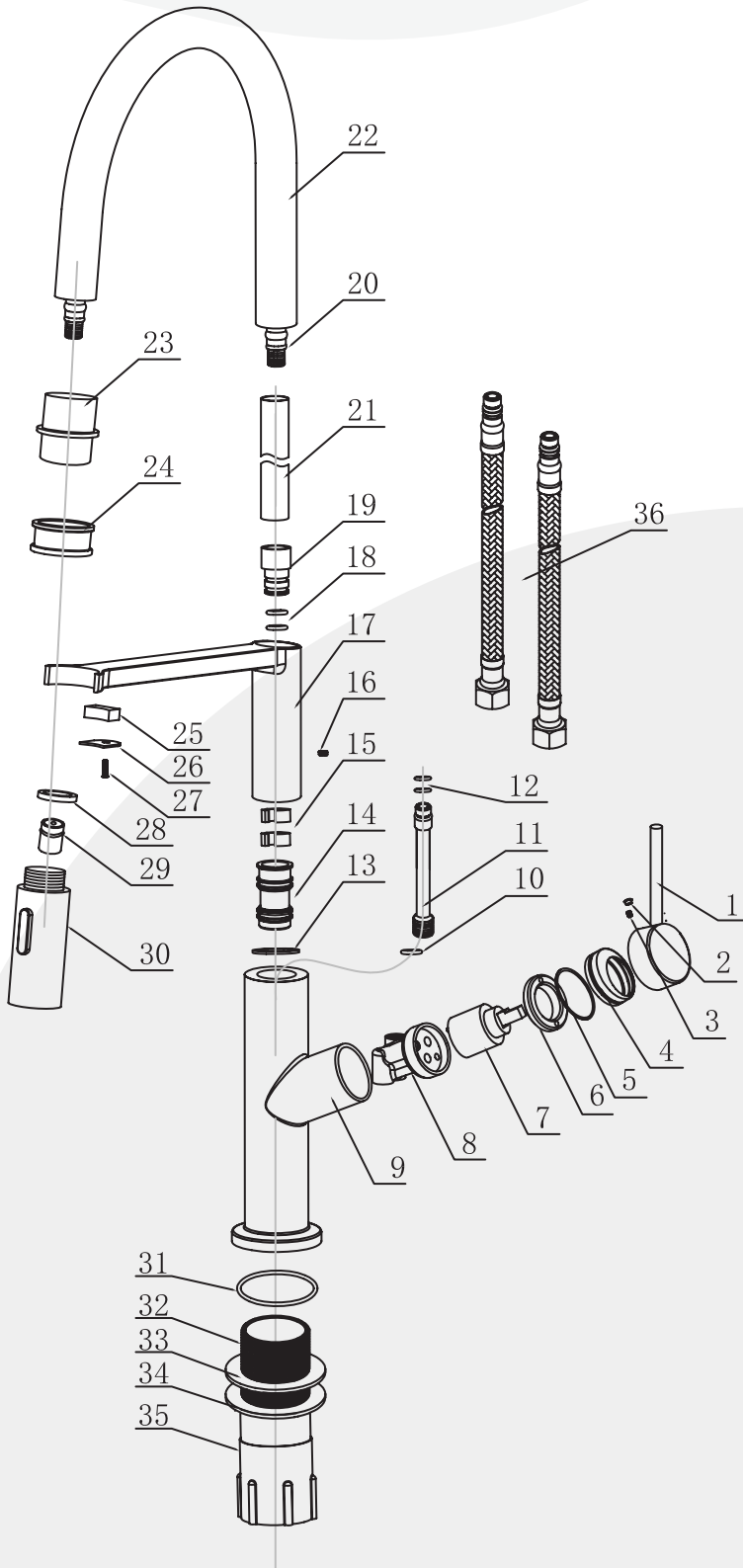
Material & Installation

- Premium solid lead-free brass construction for durability and reliability.
- MT surface finishes resist corrosion and tarnishing.
- Single-hole or three-hole installation (Deck plate needed to be buy separated).
- Preattached flexible supply lines simplify installation.

Water Conservation & Rebates

Model: KFB1075

Single handle Single-Hole Kitchen Faucet



Lead-free



Water saving



Easy Control



Easy Install



Rust Resistant



POS NO.	SPARE PART DESCRIPTION	Qty
1	Handle	1
2	Nut cover	1
3	Screw	1
4	Cartridge deco cover	1
5	O ring	1
6	Cartridge holder	1
7	Spain citec ceramic disc cartridge	1
8	Cartridge cushion	1
9	Main body	1
10	O ring	1
11	Connection pipe	1
12	O ring	2
13	O ring	1
14	U tube connector	1
15	Open positioning ring	2
16	Screw	1
17	Shower card holder	1
18	O ring	2
19	Connector	1
20	Rubber pad	1
21	Connecting pipe	1
22	Silicone tube	1
23	Shower connector	1
24	Magnet fixing nut	1
25	Magnetic	1
26	Magnetic baffle	1
27	Screw	1
28	O ring	1
29	Valve	1
30	Spray head	1
31	O ring	1
32	Main body fixing nut	1
33	Rubber pad	1
34	Metal pad	1
35	Main body fixing nut	1
36	Hose 9/16-24UNEF-M8x4	1