

# SPEC Sheet

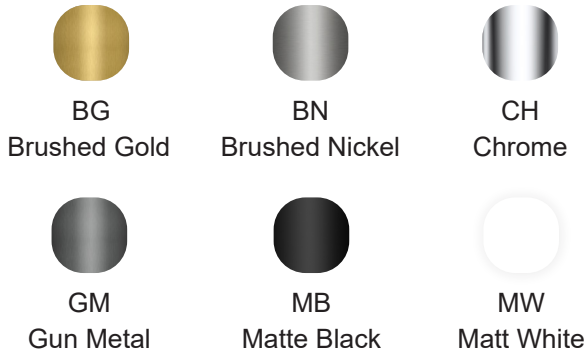


## Model: KFB1087

Single handle Single-Hole Kitchen Faucet

### Available Colors/Finishes

Color tiles intended for reference only.



Lead-free



Water saving



Easy Control



Easy Install



Rust Resistant



## Specifications



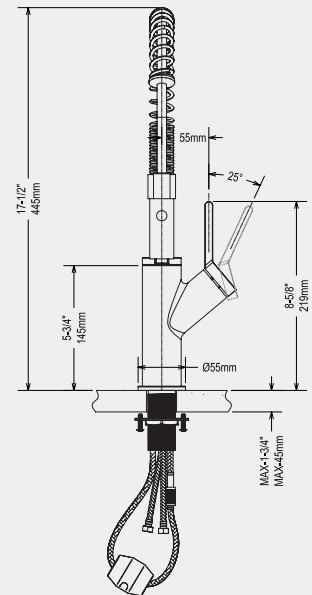
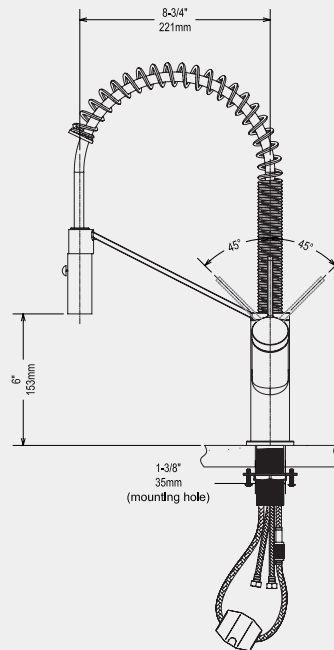
### Descriptions

- 3/8" speedway compression
- Ceramic cartridge
- Silent braided nylon hose



### Certifications

- CSA B125.1
- NSF/ANSI standard 61 and 372
- ASME A112.18.1



## Material & Installation

- Premium solid lead-free brass construction for durability and reliability.
- MT surface finishes resist corrosion and tarnishing.
- Single-hole or three-hole installation (Deck plate needed to be buy separated).
- Preattached flexible supply lines simplify installation.

Water Conservation & Rebates

# Model: KFB1087

## Single handle Single-Hole Kitchen Faucet

Lead-free



Water saving



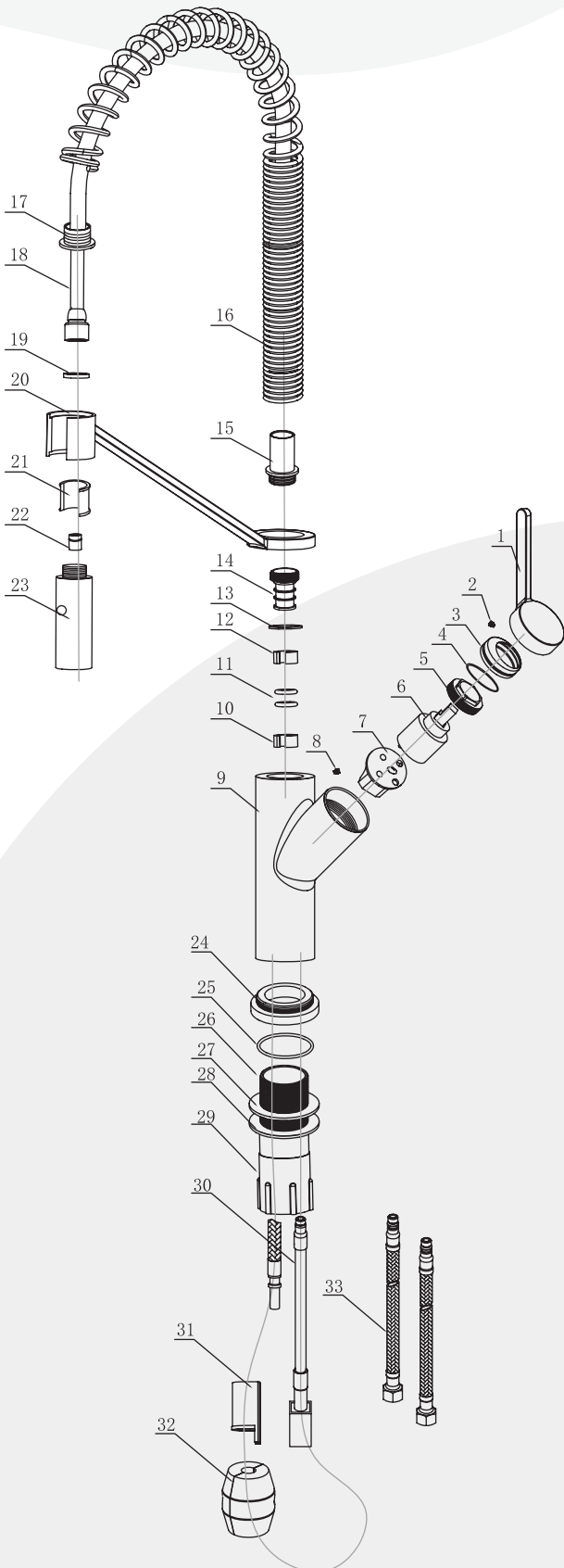
Easy Control



Easy Install



Rust Resistant



POS NO.	SPARE PART DESCRIPTION	Qty
1	Handle	1
2	Screw	1
3	Cartridge deco cover	1
4	O ring	1
5	Cartridge holder	1
6	Spain citec ceramic disc cartridge	1
7	Cartridge cushion	1
8	Screw	1
9	Main body	1
10	Plastic buckle	1
11	O ring	2
12	Plastic buckle	1
13	O ring	1
14	U tube connector	1
15	Spring connector	1
16	Spring	1
17	Spring deco cover	1
18	Hose	1
19	O ring	1
20	Spray head	1
21	Shower card holder	1
22	Valve	1
23	Spray head	1
24	Body base	1
25	O ring	1
26	Main body fixing nut	1
27	Rubber pad	1
28	Metal pad	1
29	Main body fixing nut	1
30	Quick connector	1
31	Hose cap	1
32	Weighted ball	1
33	Hose 9/16-24UNEF-M8x4	1