

# SPEC Sheet

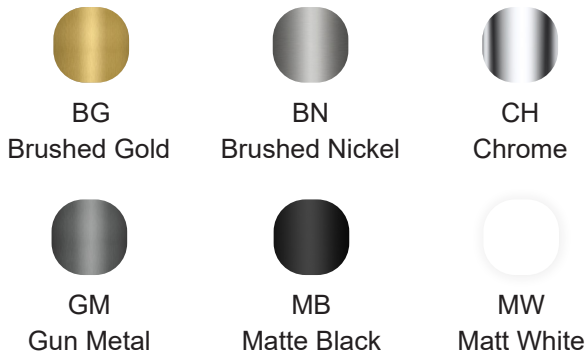


## Model: KFB1502

Single handle Single-Hole Kitchen Faucet

### Available Colors/Finishes

Color tiles intended for reference only.



Lead-free



Water saving



Easy Control



Easy Install



Rust Resistant



## Specifications



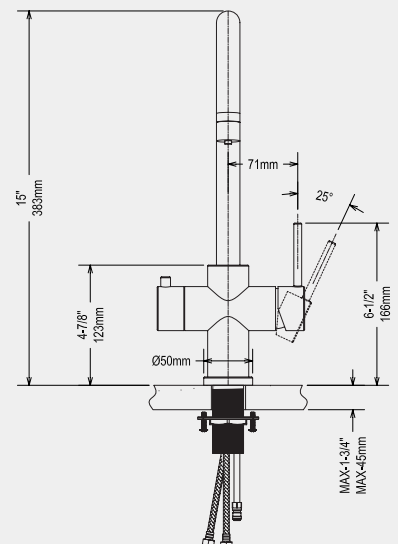
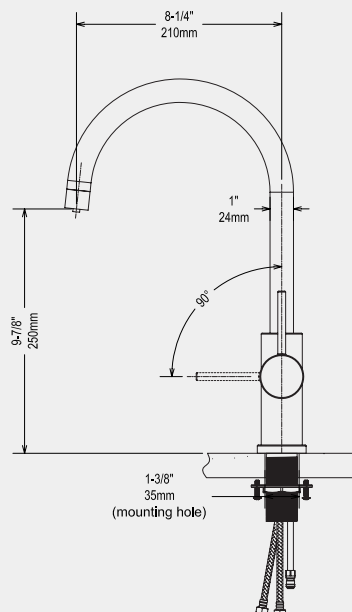
### Descriptions

- 3/8" speedway compression
- Ceramic cartridge
- Silent braided nylon hose



### Certifications

- CSA B125.1
- NSF/ANSI standard 61 and 372
- ASME A112.18.1



## Material & Installation

- Premium solid lead-free brass construction for durability and reliability.
- MT surface finishes resist corrosion and tarnishing.
- Single-hole or three-hole installation (Deck plate needed to be buy separated).
- Preattached flexible supply lines simplify installation.

Water Conservation & Rebates

# Model: KFB1502

Single handle Single-Hole Kitchen Faucet

**MAXTOR**<sup>®</sup>  
MAKE LIFE EASY

Lead-free



Water saving



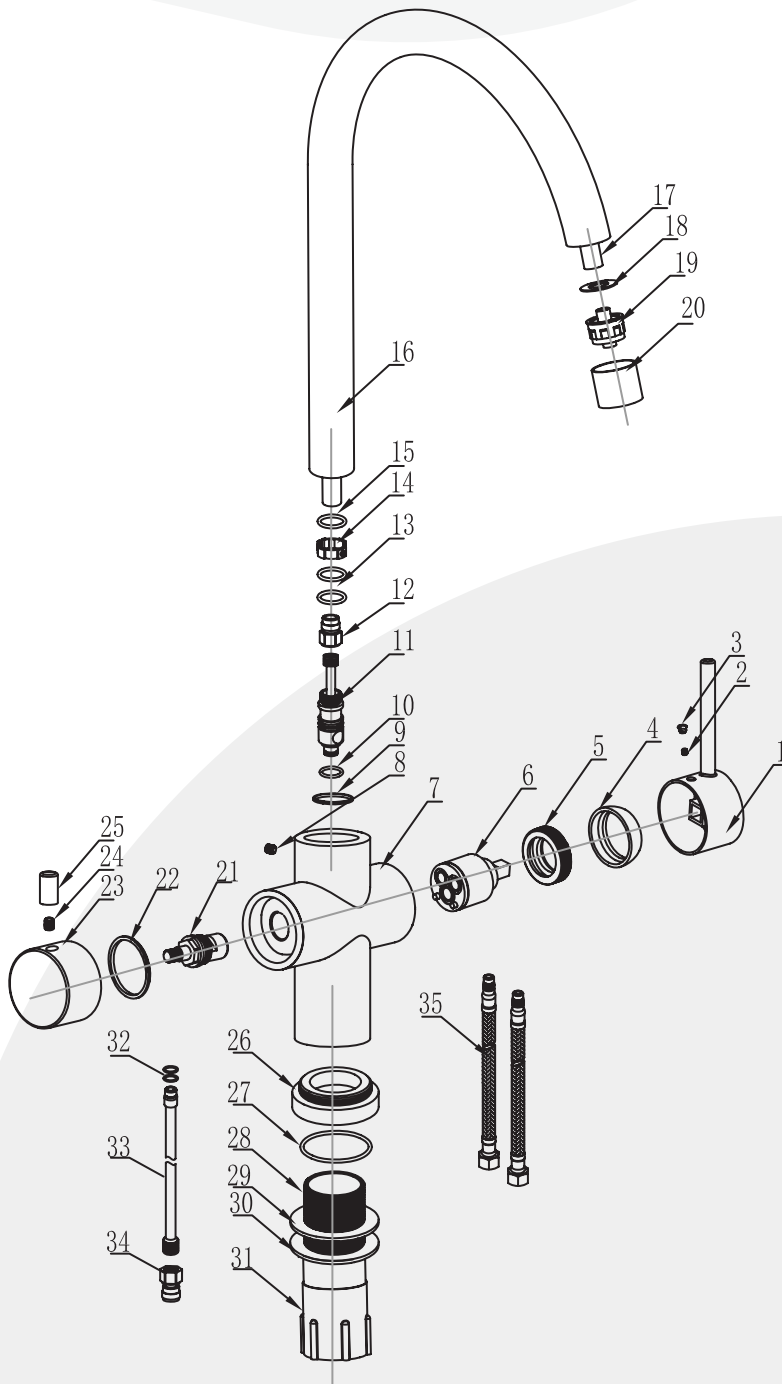
Easy Control



Easy Install



Rust Resistant



POS NO.	SPARE PART DESCRIPTION	Qty
1	Handle	1
2	Screw	1
3	Nut cover	1
4	Cartridge deco cover	1
5	Cartridge holder	1
6	Spain citec ceramic disc cartridge	1
7	Main body	1
8	Screw	1
9	O Ring	1
10	O Ring	2
11	U tube connector	1
12	Purified water connector	1
13	O Ring	1
14	Open positioning ring	1
15	O Ring	1
16	Weighted ball	1
17	Purified water inner pipe	1
18	O Ring	1
19	Purified water nozzle	1
20	Nozzle shell	1
21	Copper valve core	1
22	O Ring	1
23	Handle	1
24	Screw	1
25	Handle rod	1
26	Body base	1
27	O Ring	1
28	Main screw tube	1
29	Rubber pad	1
30	Metal pad	1
31	Main body fixing nut	1
32	O Ring	2
33	Purified water copper pipe	1
34	Purified water connector	1
35	Hose 9/16-24UNEF-M8x6	1