

# SPEC Sheet

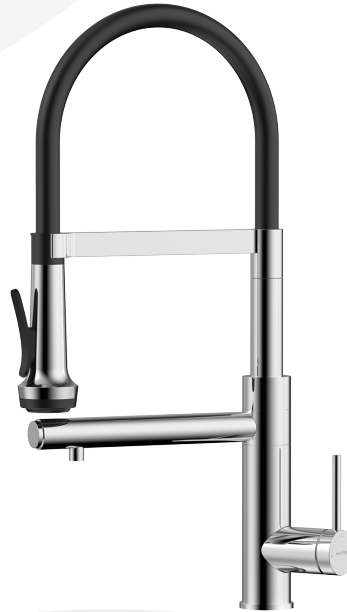
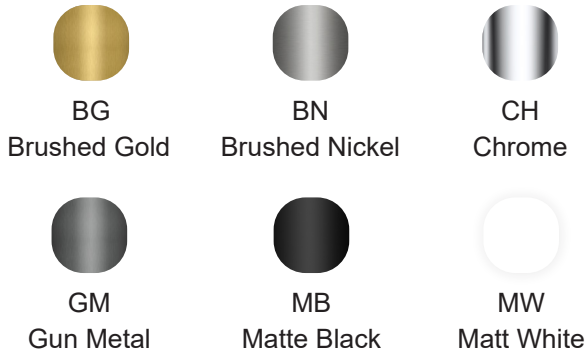


## Model: KFB1504

Single handle Single-Hole Kitchen Faucet

### Available Colors/Finishes

Color tiles intended for reference only.



Lead-free



Water saving



Easy Control



Easy Install



Rust Resistant



## Specifications



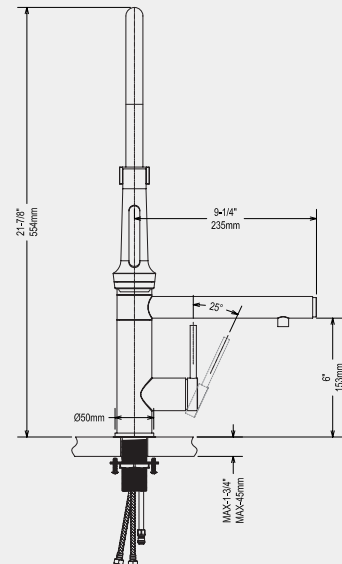
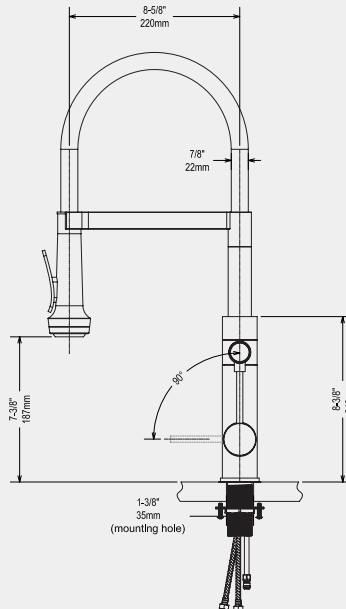
### Descriptions

- 3/8" speedway compression
- Ceramic cartridge
- Silent braided nylon hose



### Certifications

- CSA B125.1
- NSF/ANSI standard 61 and 372
- ASME A112.18.1



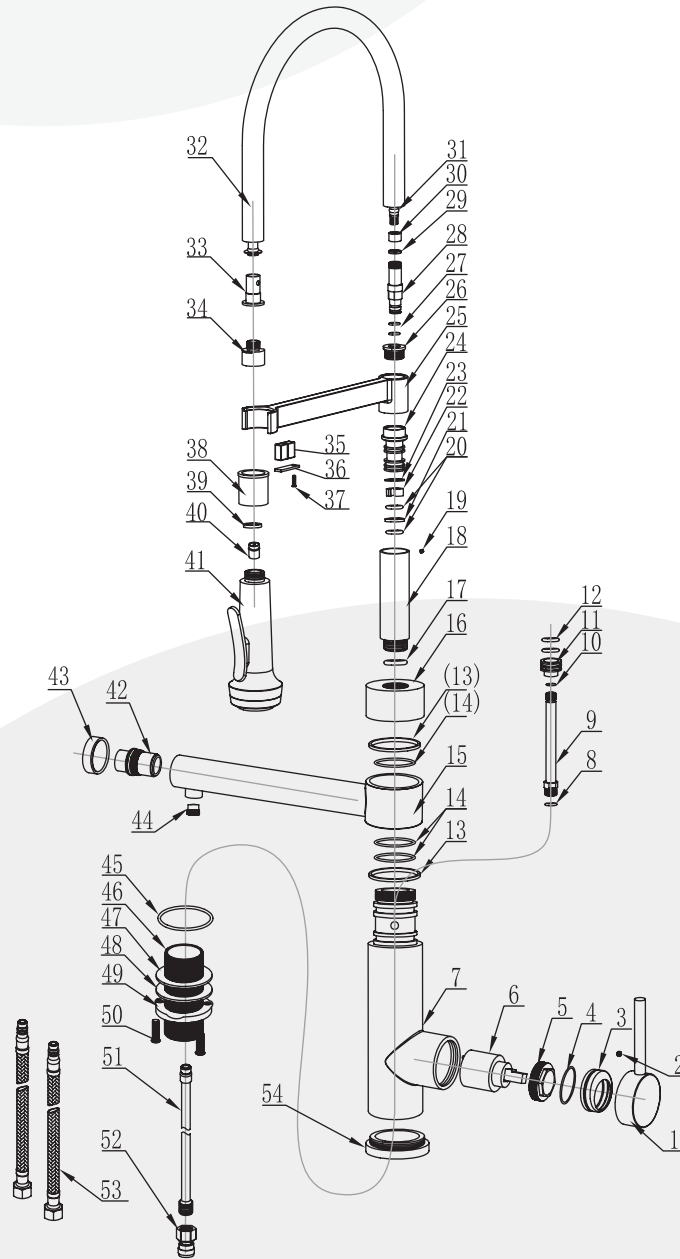
## Material & Installation

- Premium solid lead-free brass construction for durability and reliability.
- MT surface finishes resist corrosion and tarnishing.
- Single-hole or three-hole installation (Deck plate needed to be buy separated).
- Preattached flexible supply lines simplify installation.

Water Conservation & Rebates

# Model: KFB1504

## Single handle Single-Hole Kitchen Faucet



Lead-free



Water saving



Easy Control



Easy Install



Rust Resistant



POS NO.	SPARE PART DESCRIPTION	Qty
1	Handle	1
2	Screw	1
3	Cartridge deco cover	1
4	O ring	1
5	Cartridge holder	1
6	Spain citec ceramic disc cartridge	1
7	Main body	1
8	O Ring	1
9	Distribution pipe	1
10	O Ring	1
11	Distribution connector	1
12	O Ring	2
13	O Ring	2
14	O Ring	3
15	Purified water pipe	1
16	Screw	1
17	O Ring	1
18	Connecting pipe	1

POS NO.	SPARE PART DESCRIPTION	Qty
19	Screw	1
20	O Ring	2
21	Open positioning ring	1
22	Open positioning ring	1
23	O Ring	1
24	U tube connector	1
25	Shower card holder	1
26	Nut	1
27	O Ring	2
28	U tube connector	1
29	Plastic buckle	1
30	Hose clamp	1
31	Water outlet hose	1
32	Silicone tube	1
33	Hose connector	1
34	Nut	1
35	Magnet	2
36	Magnetic baffle	1

POS NO.	SPARE PART DESCRIPTION	Qty
37	Screw	1
38	Magnet fixing nut	1
39	O Ring	1
40	Valve	1
41	Spray head	1
42	Push valve core	1
43	Purified water switch	1
44	Purified water nozzle	1
45	O Ring	1
46	Main screw tube	1
47	Rubber pad	1
48	Metal pad	1
49	Main body fixing nut	1
50	Screw	3
51	Purified water copper pipe	1
52	Purified water connector	1
53	Hose 9/16-24UNEF-M8x24	1
54	Body base	1