

## Installation Guide



SHA0801



SHA1001



SHA1201



SHA1601

## Before Installation

---



### CAUTION

Failure to read these instructions prior to installation may result in personal injury, property damage, or product failure. Manufacturer assumes no responsibility for product failure due to improper installation.



### DO NOT RETURN TO STORE

If you have any trouble, contact us before reaching out to the retailer. We'll make it right. Our customer service team will be glad to assist you with any assembly, missing part or questions that you may have about your products.

Contact AquasBath Email: [admin@aquasbath.com](mailto:admin@aquasbath.com)

## PRIOR TO INSTALLATION

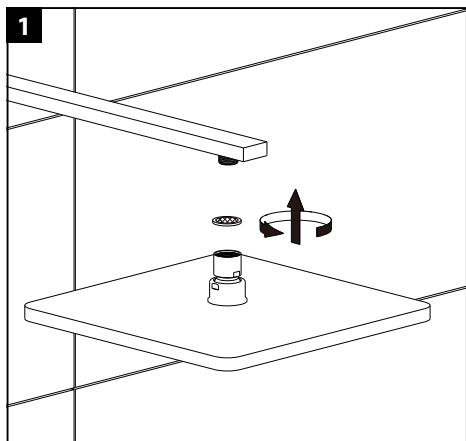
- 1- For best results, we recommend that this unit be installed by a licensed, professional plumber.
- 2- Please read over these instructions thoroughly before beginning installation. Make sure that you have all tools and supplies needed to complete the installation.
- 3- Please flush the water system to ensure that no metal swarf, solder, and other impurities can enter the faucet that might damage the cartridge. (Most of the leakages and water flow issues are from avoiding this very necessary step).
- 4- Turn off the hot and cold water lines at the angle valve and turn on the old faucet to release any built-up pressure.
- 5- Keep this booklet and the receipt (or other proof of date and place of purchase) for this product in a safe place. The receipt is required should it be necessary to request warranty parts.
- 6- Please keep the box and packaging materials until your product is completely installed and functional.

## Cleaning and Care

Clean the faucet often with a soft cloth to keep it looking like new. For heavy cleaning you can use mild liquid detergents or non-abrasive liquid polisher. Rinse with water and dry with a soft cloth. Avoid abrasive cleaners, steel wool and harsh chemicals as these will dull the finish and void your warranty.

## Shower Head Instructions

---



Make sure the mesh washer is inside the showerhead, then screw the showerhead onto the shower arm or extension pipe.

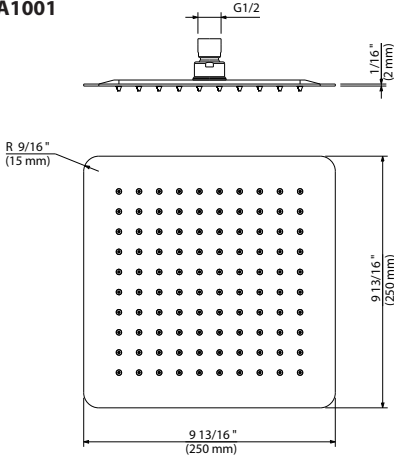
Tighten with a wrench.

**⚠ Do not overtighten, or damage may result.**

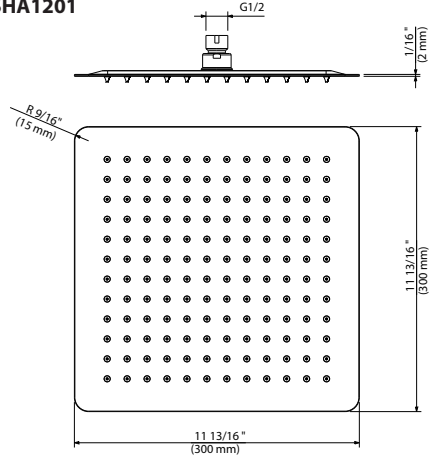
# Dimensions

Critical dimensions show in mm

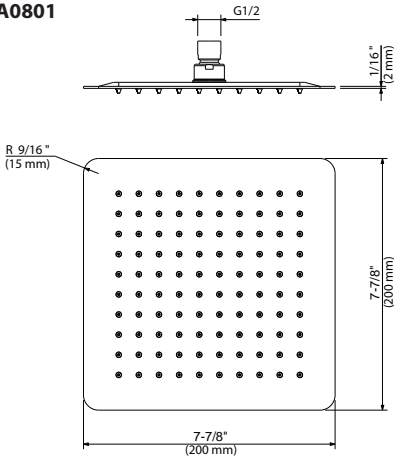
## SHA1001



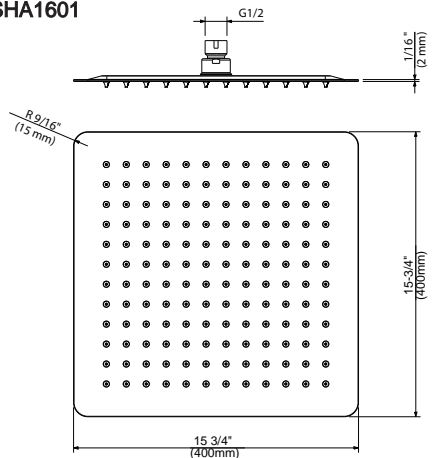
## SHA1201



## SHA0801



## SHA1601



## Warranty

Lifetime limited warranty against finish defects to the original consumer purchaser.  
1 year warranty if used in commercial installations.