

Remark:  
 1.all specification unit is (mm).  
 2.Exactly size subject to mark.

The drawing version:

Version	Details be revised	Date

**MAXTOR**  
 MAKE LIFE EASY

Project

Shower Head

Item code

SHA1202

Size

Dwg No.	REV
	01

Tolerance	±0.5
-----------	------

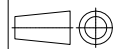
Scale	Date

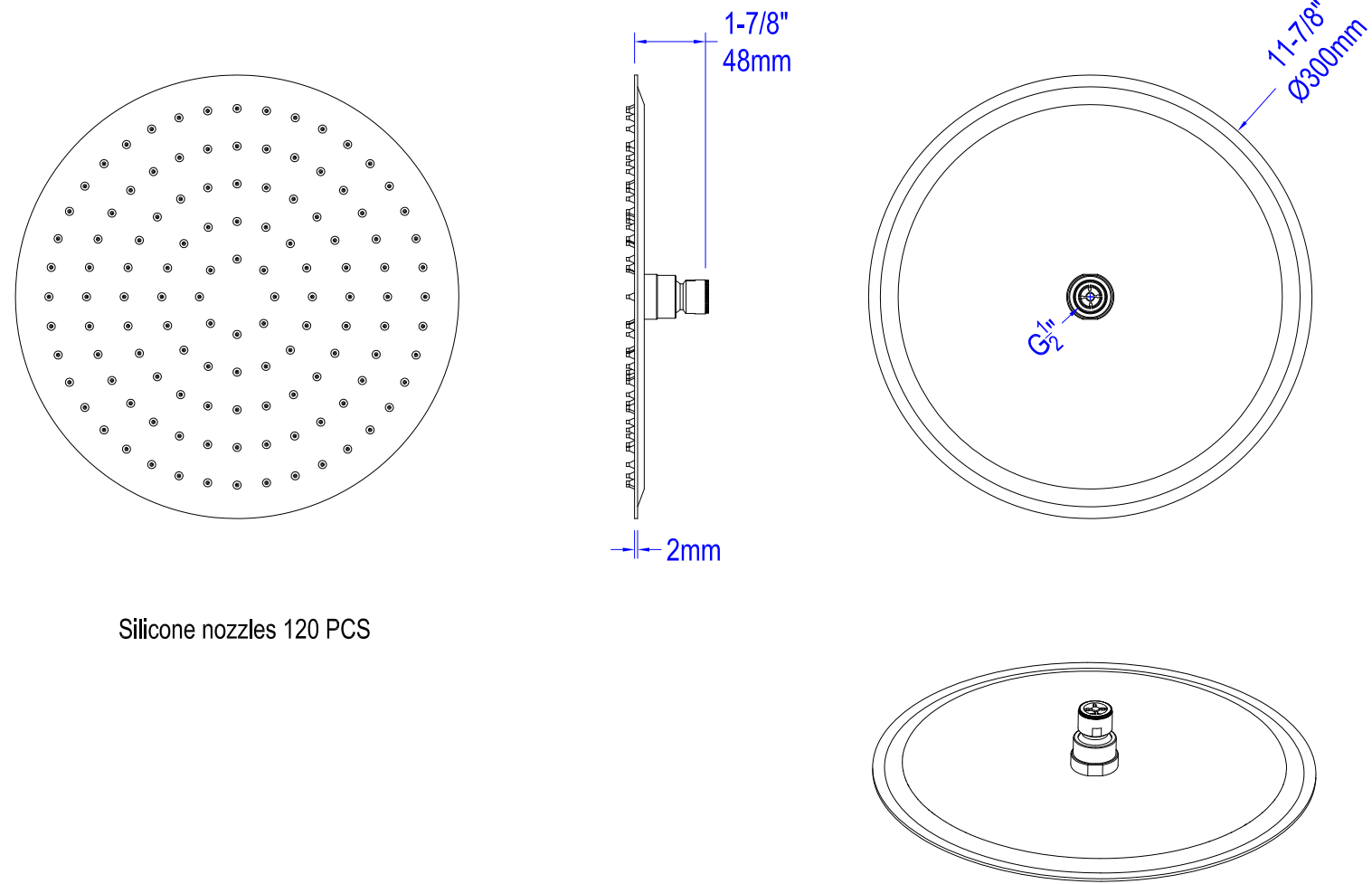
Page:

Designed By:	JM Chen
--------------	---------

Checked By:  
(Technical)

Approved By:

Angle of view:	
----------------	---



Silicone nozzles 120 PCS