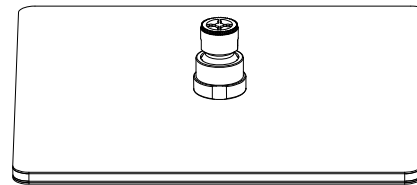
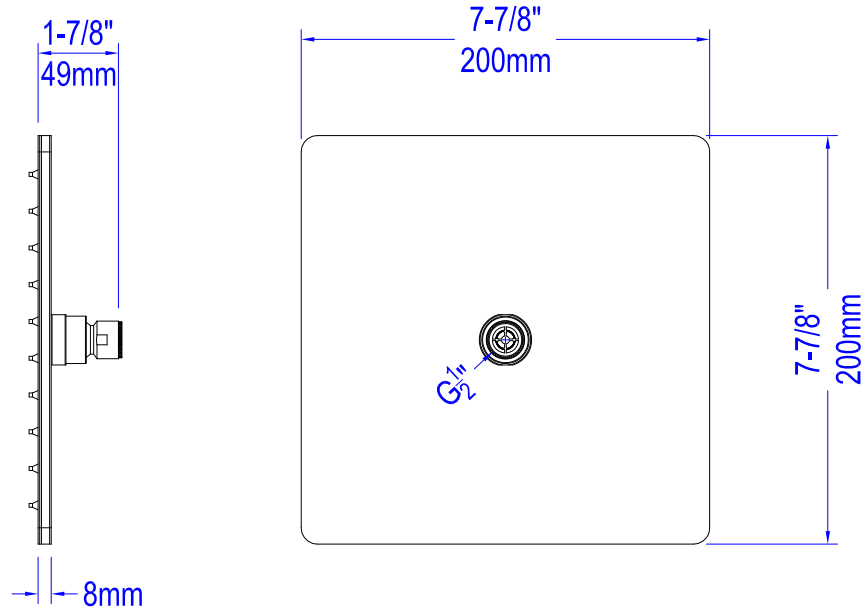


Silicone nozzles 64 PCS



Remark:  
1.all specification unit is (mm).  
2.Exactly size subject to mark.

The drawing version:

Version	Details be revised	Date

**MAXTOR**  
MAKE LIFE EASY

Project

Shower Head

Item code

SHD0801

Size

Dwg No.	REV
	01

Tolerance ±0.5

Scale Date

Page:

Designed By: JM Chen

Checked By:  
(Technical)

Approved By:

Angle of view: