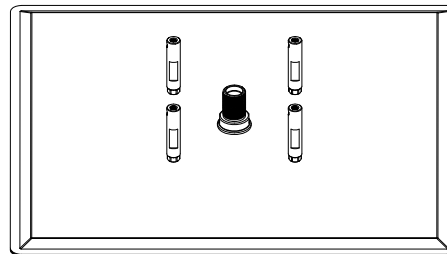
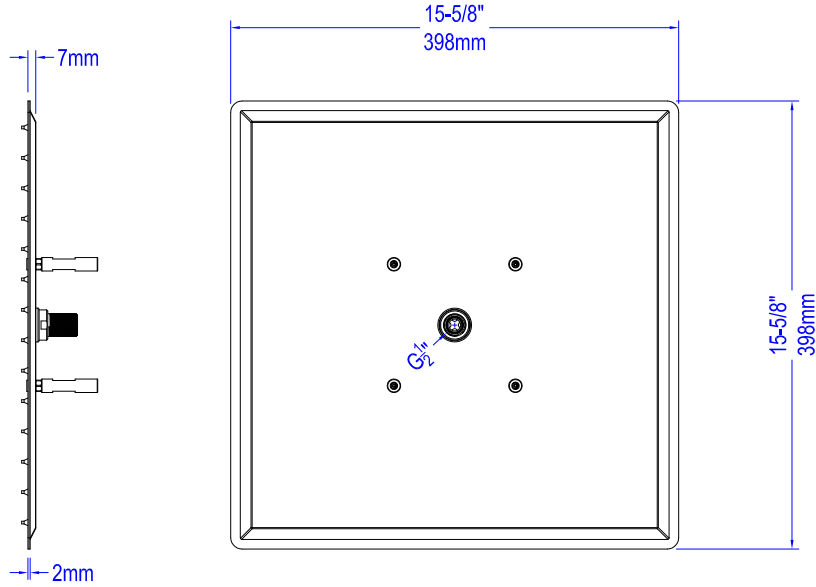


Silicone nozzles 196 PCS



Remark:
1.all specification unit is (mm).
2.Exactly size subject to mark.

The drawing version:

Version	Details be revised	Date

MAXTOR
MAKE LIFE EASY

Project

Shower Head

Item code

SHE1601

Size

Dwg No. REV

01

Tolerance ±0.5

Scale Date

Page:

Designed By: JM Chen

Checked By:
(Technical)

Approved By:

Angle of view: